

# Intellian

## v60Ka2

### ENHANCED 65CM

#### Maritime Wide Ka-Band VSAT Antenna



## FEATURES

### COMPACT AND LIGHTWEIGHT

v60Ka2 is the compact and light 65cm maritime wide ka-band VSAT antenna system. It provides easy and convenient installation in order for the user to reduce the total cost of ownership. Even though the weight is dramatically reduced, the v60Ka2 performance is maintained. While still guaranteeing reliability in the harshest sea conditions.

### QUICK & EASY INSTALLATION

The v60Ka2 is designed to be easy to install and reduce costs for users. The system includes a single cable design, combining Tx, Rx and DC power into one single solution. The single coaxial cable is connected externally on the base of the radome with no requirement to access the inside of the radome, reducing complexity for the customer during installation and maintenance.

### 2.5GHZ WIDE KA-BAND SUPPORT

The v60Ka2 has a full range-optimized reflector and radome supporting high speed Ka-band services, which covers the entire commercial Ka 2.5GHz wide frequency band range. v60Ka2 supports dual-polarization and can transmit and receive both LHCP and RHCP of Ka-band circular polarization.

### ANTENNA MANAGEMENT PLATFORM

Intellian's all new integrated M&C platform, AptusNX provides responsive web user interface to manage and control the antenna system regardless of device types. AptusNX includes an intelligent installation Wizard to simplify system configuration so that users can become connected faster than ever before. The platform also includes diagnosis function which enables accurate and enhanced antenna performance checks both on-board and remotely. This reduces the need for on-board maintenance and improves performance.

### HIGH POWER UPGRADABLE

The v60Ka2 VSAT system use an integral unit of multi-band BUC and LNB arranged in a 4.5W Transceiver. The system with transceiver can use dual polarization for both Tx and Rx with several possible topologies. The v60Ka2 can be easily upgraded with the 9W High Power transceiver. There is no need for additional components. Simply and easy upgrade 9W transceiver to benefit high throughput service.

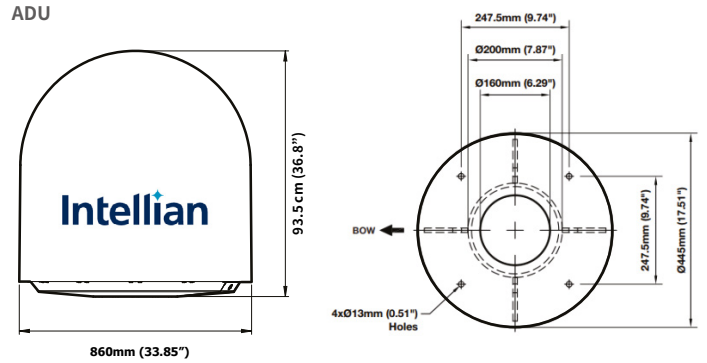
# v60Ka 2 Enhanced 65cm Maritime Wide Ka-Band VSAT Antenna

## TECHNICAL SPECIFICATIONS

### ABOVE DECK UNIT

|                        |  |
|------------------------|--|
| Radome Height          | 93.5 cm / 36.8"  |
| Radome Diameter        | 86 cm / 33.85"   |
| Reflector Diameter     | 65 cm / 25.59"   |
| Weight                 | 39Kg / 86lbs   |
| Positioning            | 3-Axis Velocity Mode Control:<br>Azimuth, Elevation, Cross-Level |
| Azimuth Range          | Unlimited  |
| Elevation Range        | -20° to 115°   |
| Cross-level Range      | ± 37°  |
| Stabilization Accuracy | 0.2° max in presence of specified ship motions                   |
| Tx Frequency           | 27.5 ~ 30.0 GHz Ka-band  |
| Tx Gain                | 44.2 dBi @29.0GHz  |
| Rx Frequency           | 17.7 ~ 20.2 GHz Ka-band  |
| Rx Gain                | 40.2 dBi @19.0GHz  |
| G/T                    | > 15.5 dB/K @Elevation 10 degree                                 |
| Transceiver Power      | 4.5W, 9W Transceiver   |
| Sidelobe               | Meet FCC 25.218 / FCC 25.209                                     |
| Polarization           | Circular Dual Polarization<br>(Rx : RHCP/LHCP, TX : RHCP/LHCP)   |
| Antenna Cable          | Single 50 ohm Coax Cable   |

## SYSTEM DIMENSION



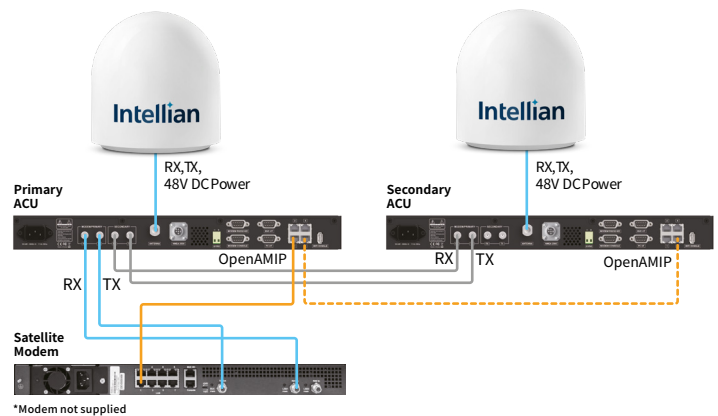
## SYSTEM DIAGRAM



### ANTENNA CONTROL UNIT

|                       |  |
|-----------------------|--|
| Dimensions (WxDxH)    | 43.1 cm x 41.1 cm x 4.4 cm / 17" x 16.1" x 1.7"  |
| Weight                | 5.2 Kg / 11.5 lbs                                |
| Display               | OLED Display                                     |
| Gyrocompass Interface | NMEA 2000, NMEA 0183                             |
| Mediator Interface    | Yes  |
| Modem Interface       | Ethernet port / RS-232C, -422C / I/O Console     |
| Modem Protocol        | iDirect, Comtech, SatLink, Hughes, GILAT, Newtec |
| Wi-Fi Operation       | Yes (w/ Wi-Fi dongle)                            |
| Management Port       | Yes  |
| Intellian LAN Port    | Yes  |
| Power Requirement     | 100 ~240 VAC, 50~60Hz, 4A                        |

## SYSTEM DIAGRAM (DUAL ANTENNA)



### FRANCE

Furuno France SAS  
12 avenue de la Grande Semaine 33 700 Mérignac, France  
+33 5 56 13 48 00 / www.furuno.fr

### ITALY

Furuno Italia SRL  
Via Ottorino Respighi, 29 47 043 Gatteo FC, Italy  
+39 0541 184 9400 / www.furuno.it

